

NEWarrival



**ANOTHER AWARD WINNING
SENDEL TOWABLE
WITH DIRECTIONAL STYLING**

- GLOSS BLACK OR FULL SILVER PAINTED
- SAE J1204 COMPLIANT
- OVER 40 YEARS OF QUALITY AUTOMOTIVE PRODUCTS
- PICTURED WITH OUR OPTIONAL APPLICATION SPECIFIC SENDEL EZ LUBE CAPS IN NUMEROUS COLORS
- FEATURING OUR LATEST TORQUE LOCK TECHNOLOGY WHICH INSURES THE PROPER AMOUNT OF LUG TORQUE

Part Number	CAP #	SIZE	Bolt	Hub	Max	Max	ET
T15-45545BM/S	S1050-319	14X5.5	5X4.5	3.19	2,200	65 PSI	+0
T15-55545BM/S	S1050-319	15x5	5x4.5	3.19	1,870	80 PSI	+0
T15-56545BM/S	S1050-319	15X6	5X4.5	3.19	2,150	60 PSI	+0
T15-56550BM/S	S1050-319	15X6	5X5.0	3.19	2,150	80 PSI	+0
T15-56655BM/S	S1050-375	15X6	6X5.5	3.75	2,850	80 PSI	+0
T15-66655BM/S	S1050-375	16X6	6X5.5	3.75	3,200	80 PSI	+0
T15-66867BM/S	S1050-490	16X6	8X6.5	4.90	3,750	110 PSI	+0

INTRODUCING THE NEW STANDARD FOR THE TRAILER INDUSTRY GOODRIDE®



ST100 **HEAT-LESS**

Special HEAT-LESS technology utilizes heat resistant compounding to slow down tire aging and extend tire life.

Double steel belts for enhanced strength improving puncture resistance and vehicle towing stability.

Long life and low rolling resistance reduces tread wear and improves fuel economy.

Full nylon cap for added strength and durability

10/32" Automotive tread depth

Part Number	Size	Load Range	Load Cap.
9300314	ST205/75R14	C	1760
9300315	ST205/75R15	C	1820
9300319	ST225/75R15	D	2150
9300041	ST235/80R16	E	3520
9300325	ST235/85R16	G	4080

TIRES & WHEELS • TABLE OF CONTENTS

Tires & Wheels

Tire Only.....	E-4
Steel Wheels.....	E-5
Small Diameter Steel Wheel & Tire Assemblies (8" - 12")	E-8
Standard Steel Wheel & Tire Assemblies (13" - 15")	E-9
Large Steel Wheel & Tire Assemblies (16" - 17.5")	E-14
Aluminum Wheels.....	E-17
Aluminum Tire & Wheel Assemblies.....	E-18
Wheel Center Caps	E-22
Wheel & Hub Covers	E-23
Wheel Simulators	E-24
Lug Nuts & Wrenches.....	E-25
Valve Stems	E-26
Spare Tire Mounts	E-27
Wheel Chocks	E-28
Wheel Locks.....	E-29



• 9700293

PVD

Most people that aren't in the wheel business have probably never heard of PVD. The "chrome" wheels on your truck are probably not chrome at all but rather PVD. PVD means Physical Vapor Deposition. It's a powder coat that looks very similar to chrome AND gives that same shiny appearance. More and more wheel and rim manufacturers are going into the PVD finish. It gives a chrome look without the downfalls of chrome.

PVD vs. Chrome

WEIGHT - PVD wheels are actually lighter than chrome wheels. They can be two to three pounds lighter. The material used for powder coating PVD wheels weighs less than the chrome material which in turn helps your vehicle out by reducing the rotating mass.

FINISH - One of the major concerns for everyone when picking wheels is: "How do they hold up in winter weather conditions?" PVD is made to accept even the harshest of winter conditions. If you live up in the northern regions where there is a lot of snow and ice all winter, the road crews put down salt and Magnesium Chloride to help fight slippery driving conditions. Those two components and chrome do not get along and they actually eat away at chrome over time. It is also known to make the chrome crack, peel or pit.

ENVIRONMENTAL - One of the components used to make up chrome is hexavalent chromium which is a very toxic material which is bad for the environment. PVD wheels are manufactured with environmentally friendly products. This paragraph alone should be enough to decide to use a "green" product that won't hurt the sensitive environment we live in.

TIRES & WHEELS =



Bias Ply Tire

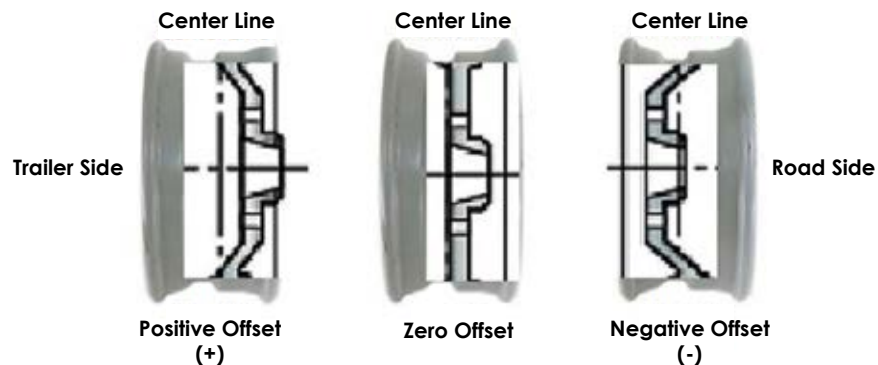


Radial Ply Tire

Radial or Bias Tires

A **Bias** tire consists of multiple rubber plies overlapping each other. The crown and sidewalls are interdependent. The Bias overlapped plies form a thick layer that is less flexible and more sensitive to overheating. The Bias footprint is less than the Radial making less contact with the ground which could lead to a loss of power transmission and possibly greater ground damage. Due to the stiffness of a Bias tire, it does not absorb bumps, shocks or impacts as well as Radial.

A **Radial** tire allows the sidewall and the tread to function as two independent features of the tire. The Radial is slightly more expensive yet provides a smoother ride and is less sensitive to overheating than the Bias. The Radial footprint is larger enabling easier handling. Due to the flexibility and strength of the Radial, the tire absorbs shocks, impacts and bumps creating a smoother ride. Radials typically have longer life.



Inset = Positive (+) moves tire towards centerline of trailer
Outset = Negative (-) moves tire away from centerline of trailer

Load Range	Ply Rating
A	2
B	4
C	6
D	8
E	10
F	12
G	14
H	16
J	18
L	20
M	22
N	24

TIRES ONLY =



GOOD

Bias construction nylon ply is ideal for many towable applications including boat trailers, utility trailers, stock trailers and recreational vehicles. Meets and exceeds FMVSS 119.



BETTER

Radial tires provide the strength of a bias tire, as well as the durability, smooth ride and excellent stability at highway speeds. Affordable belted radial construction. Meets and exceeds FMVSS 119.



BEST

Radial tire features double polyester cord body, double steel belts and nylon overlays which contribute up to 15% more endurance in loading conditions when compared to other brands. Meets and exceeds FMVSS 119 & FMVSS 139.

12" Tires								
	ITEM NO.	TIRE SIZE	O.D.	SECTION WIDTH	PLY RATING	LOAD RANGE	MAX LOAD	MAX PSI
GOOD - BIAS PLY	9300003	4.80 X 12 BIAS	20.47	4.64	6	C	990	90
	9300090	5.30 X 12 BIAS	21.45	5.47	6	C	1,045	80

13" Tires								
	ITEM NO.	TIRE SIZE	O.D.	SECTION WIDTH	PLY RATING	LOAD RANGE	MAX LOAD	MAX PSI
GOOD - BIAS PLY	9300305	ST175/80 BIAS	24.02	7	6	C	1,360	50
BETTER - RADIAL	9300004-TT	ST175/80 RADIAL	24	6.97	6	C	1,360	50
BEST - RADIAL	9300004	ST175/80 RADIAL	24	6.97	6	C	1,360	50

14" Tires								
	ITEM NO.	TIRE SIZE	O.D.	SECTION WIDTH	PLY RATING	LOAD RANGE	MAX LOAD	MAX PSI
GOOD - BIAS PLY	9300309	ST205/75 BIAS	26.14	8	6	C	1,760	50
BETTER - RADIAL	9300314-TT	ST205/75 RADIAL	26.14	7.99	6	C	1,760	50
BEST - RADIAL	9300314	ST205/75 RADIAL	26.14	8.5	6	C	1,760	50

15" Tires								
	ITEM NO.	TIRE SIZE	O.D.	SECTION WIDTH	PLY RATING	LOAD RANGE	MAX LOAD	MAX PSI
GOOD - BIAS PLY	9300313	ST205/75 BIAS	27.13	5.5	6	C	1,820	50
	9300317	ST225/75 BIAS			8	D	2,540	65
BETTER - RADIAL	9300315-TT	ST205/75 RADIAL	27.13	7.99	6	C	1,820	50
	9300319-TT	ST225/75 RADIAL	28.31	8.78	8	D	2,535	65
BEST - RADIAL	9300315	ST205/75 RADIAL	27.13	7.99	6	C	1,820	50
	9300319	ST225/75 RADIAL	28.31	8.78	8	D	2,540	65
	9300061	ST225/75 RADIAL	28.31	8.78	10	E	2,830	80

16" Tires								
	ITEM NO.	TIRE SIZE	O.D.	SECTION WIDTH	PLY / LOAD	MAX LOAD		MAX PSI
						SINGLE	DUAL	
BETTER - RADIAL	9300041-TT	ST235/80 RADIAL	30.79	9.25	10 / E	3,520	3,080	80
BEST - RADIAL	9300325	ST235/85 RADIAL	31.73	9.25	14 / G	4,080	3,640	110
	9300041	ST235/80 RADIAL	30.79	9.25	10 / E	3,520	3,080	80
	9300323	ST235/85 RADIAL	31.73	9.25	10 / E	3,640	3,200	80

17.5" Tires								
	ITEM NO.	TIRE SIZE	O.D.	SECTION WIDTH	PLY / LOAD	MAX LOAD		MAX PSI
						SINGLE	DUAL	
BEST - RADIAL	9300045	215/75 RADIAL	30.2	8.31	16 / H	4,805	4,540	123
	9300063	235/75 RADIAL	31.38	9.17	18 / J	6,005	5,675	127

STEEL WHEELS =



• Black Mod PVD



• Silver Mod PVD



• White Spoke Paint



• White Mod Paint



• Silver Mod Paint



• Galvanized Spoke



• 17.5 Single Paint



• Silver Dual Paint

12" X 4" STEEL WHEEL

ITEM NO.	DIAMETER / WIDTH	BOLT PATTERN	CAPACITY	FINISH	COLOR	STYLE	PILOT	OFFSET	CENTER CAP
9700885	12 x 4	440	1250	PAINT	WHITE	SPOKE	2.52	0	N/A
9700890	12 x 4	545	1250	PAINT	WHITE	SPOKE	2.95	0	7600100
9700123	12 x 4	545	1250	COATED	GALVANIZED	SPOKE	2.95	0	7600100
9700888	12 x 4	545	1250	PAINT	SILVER	MOD	2.95	0	7600100

13" X 4.5" STEEL WHEEL

ITEM NO.	DIAMETER / WIDTH	BOLT PATTERN	CAPACITY	FINISH	COLOR	STYLE	PILOT	OFFSET	CENTER CAP
9700008	13 X 4.5	440	1,660	PAINT	WHITE	SPOKE	2.65	0	N/A
9700900	13 X 4.5	545	1,660	PAINT	WHITE	SPOKE	2.99	0	7600100
9700825	13 X 4.5	545	1,660	PAINT	WHITE	MOD	2.99	0	7600100
9700823	13 X 4.5	545	1,660	PAINT	SILVER	MOD	2.99	0	7600100
9700293	13 X 4.5	545	1,660	PVD	SILVER	MOD	2.99	0	7600100
9700062	13 X 4.5	545	1,660	COATED	GALVANIZED	SPOKE	3.19	0	7600101

14" X 6" STEEL WHEEL

ITEM NO.	DIAMETER / WIDTH	BOLT PATTERN	CAPACITY	FINISH	COLOR	STYLE	PILOT	OFFSET	CENTER CAP
9700905	14 X 6	545	1,870	PAINT	WHITE	SPOKE	3.27	0	7600102
9700830	14 X 6	545	1,870	PAINT	WHITE	MOD	3.27	0	7600102
9700755	14 X 6	545	1,870	PAINT	SILVER	MOD	3.27	0	7600102
9700294	14 X 6	545	1,870	PVD	SILVER	MOD	3.27	0	7600102
9700063	14 X 6	545	1,870	COATED	GALVANIZED	SPOKE	3.27	0	7600102

STEEL WHEELS =

15" X 5" STEEL WHEEL

ITEM NO.	DIAMETER / WIDTH	BOLT PATTERN	CAPACITY	FINISH	COLOR	STYLE	PILOT	OFFSET	CENTER CAP
9700915	15 X 5	545	1870	PAINT	WHITE	SPOKE	3.31	0	7600102
9700835	15 X 5	545	1870	PAINT	WHITE	MOD	3.19	0	7600101
9700760	15 X 5	545	1870	PAINT	SILVER	MOD	3.19	0	7600101
9700912	15 X 5	545	1870	COATED	GALVANIZED	SPOKE	3.31	0	7600102
9700160	15 X 5	545	1870	PAINTED	BLACK	MOD	3.19	0	7600101
9700920	15 X 5	5475	1870	PAINT	WHITE	SPOKE	3.31	.31 OUT	7600102
9700670	15 X 5	5475	1870	PAINT	WHITE	MOD	3.31	.55 OUT	7600102
9700765	15 X 5	5475	1870	PAINT	SILVER	MOD	3.31	.55 OUT	7600102
9700925	15 X 5	550	1870	PAINT	WHITE	SPOKE	3.19	0	7600101
9700840	15 X 5	550	1870	PAINT	WHITE	MOD	3.19	0	7600101
9700770	15 X 5	550	1870	PAINT	SILVER	MOD	3.19	0	7600101
9700930	15 X 5	555	1870	PAINT	WHITE	SPOKE	4.25	.67 OUT	7600103
9700932	15 X 5	555	1870	PAINT	SILVER	MOD	4.25	.67 OUT	7600103

15" X 6" STEEL WHEEL

ITEM NO.	DIAMETER / WIDTH	BOLT PATTERN	CAPACITY	FINISH	COLOR	STYLE	PILOT	OFFSET	CENTER CAP
9700935	15 X 6	545	2830	PAINT	WHITE	SPOKE	3.19	0	7600101
9700845	15 X 6	545	2830	PAINT	WHITE	MOD	3.31	0	7600102
9700775	15 X 6	545	2830	PAINT	SILVER	MOD	3.19	0	7600101
9700295	15 X 6	545	2830	PVD	SILVER	MOD	3.31	0	7600102
9700296	15 X 6	545	2830	PVD	BLACK	MOD	3.31	0	7600102
9700945	15 X 6	550	2830	PAINT	WHITE	SPOKE	3.31	0	7600102
9700850	15 X 6	550	2830	PAINT	WHITE	MOD	3.31	0	7600102
9700776	15 X 6	550	2830	PAINT	SILVER	MOD	3.31	0	7600102
9700305	15 X 6	550	2830	PVD	SILVER	MOD	3.31	0	7600102
9700306	15 X 6	550	2830	PVD	BLACK	MOD	3.31	0	7600102
9700950	15 X 6	555	2830	PAINT	WHITE	SPOKE	4.25	0	7600103
9700955	15 X 6	655	2830	PAINT	WHITE	SPOKE	4.25	0	7600103
9700855	15 X 6	655	2830	PAINT	WHITE	MOD	4.25	0	7600103
9700780	15 X 6	655	2830	PAINT	SILVER	MOD	4.25	0	7600103
9700297	15 X 6	655	2830	PVD	SILVER	MOD	4.25	0	7600103
9700200	15 X 6	655	2830	PAINT	BLACK	SPOKE	4.25	0	7600103
9700161	15 X 6	655	2830	PAINT	BLACK	MOD	4.25	0	7600103
9700298	15 X 6	655	2830	PVD	BLACK	MOD	4.25	0	7600103
9700043	15 X 6	655	2830	COATED	GALVANIZED	SPOKE	4.25	0	7600103

NOTE: unless noted otherwise assemblies have a speed rating of 81 mph.

STEEL WHEELS =

16" X 6" STEEL WHEEL									
ITEM NO.	DIAMETER / WIDTH	BOLT PATTERN	CAPACITY	FINISH	COLOR	STYLE	PILOT	OFFSET	CENTER CAP
9700960	16 X 6	655	3500	PAINT	WHITE	SPOKE	4.25	0	7600103
9700860	16 X 6	655	3500	PAINT	WHITE	MOD	4.25	0	7600103
9700785	16 X 6	655	3500	PAINT	SILVER	MOD	4.25	0	7600103
9700130	16 X 6	655	3500	COATED	GALVANIZED	SPOKE	4.25	0	7600103
9700244	16 X 6	655	3500	COATED	GALVANIZED	MOD	4.25	0	7600103
9700965	16 X 6	865	3750	PAINT	WHITE	SPOKE	5.12	0	7600105
9700865	16 X 6	865	3750	PAINT	WHITE	MOD	5.12	0	7600105
9700790	16 X 6	865	3750	PAINT	SILVER	MOD	5.12	0	7600105
9700791	16 X 6	865	4100	PAINT	SILVER	MOD	4.88	0	7600104
9700299	16 X 6	865	3750	PVD	SILVER	MOD	5.12	0	7600105
9700300	16 X 6	865	3750	PVD	BLACK	MOD	5.12	0	7600105
9700038	16 X 6	865	3750	PAINT	SILVER	OEM	4.88	.05 IN	7600104
9700700	16 X 6	865	3750	COATED	GALVANIZED	SPOKE	5.12	0	7600105
9700165	16 X 6	865	4100	COATED	GALVANIZED	MOD	5.12	0	7600105
9700605	16 X 6	865	3500	PAINT	SILVER	DUAL	4.75	5.35 IN	-
9700620	16 X 6	865	3500	PAINT	SILVER	DUAL	4.88	5.35 IN	-
9700240	16 X 6	865	3960	PAINT	WHITE	SPOKE	5.12	0	7600105
9700212	16 X 6	865	4100	PAINT	WHITE	MOD	4.88	0	7600104

NOTE: unless noted otherwise assemblies have a speed rating of 81 mph.

17.5" X 6.75" STEEL WHEEL									
ITEM NO.	DIAMETER / WIDTH	BOLT PATTERN	CAPACITY	FINISH	COLOR	STYLE	PILOT	OFFSET	NOTE
9700156	17.5 X 6.75	865	5956	PAINT	WHITE	MOD	4.76	-0.47	-
9700057	17.5 X 6.75	10-8.75	6500	PAINT	WHITE	DUAL	6.5	6.102	-
9700083	17.5 X 6.75	8-2.75	5675	PAINT	WHITE	DUAL	8.7	5.59	OUTER
9700097	17.5 X 6.75	865	5675	PAINT	WHITE	DUAL	4.77	5.67	-
9700122	17.5 X 6.75	865	6005	PAINT	SILVER	SINGLE	4.75	.19 OUT	-
9700600	17.5 X 6.75	865	6005	PAINT	SILVER	SINGLE	4.75	.50 OUT	-

SMALL DIAMETER TIRE & WHEEL ASSEMBLIES =

GOOD

Bias construction nylon ply is ideal for many towable applications including boat trailers, utility trailers, stock trailers and recreational vehicles. Meets and exceeds FMVSS 119.

BETTER

Radial tires provide the strength of a bias tire, as well as the durability, smooth ride and excellent stability at highway speeds. Affordable belted radial construction. Meets and exceeds FMVSS 119.

BEST

Radial tire features double polyester cord body, double steel belts and nylon overlays which contribute up to 15% more endurance in loading conditions when compared to other brands. Meets and exceeds FMVSS 119 & FMVSS 139.



• 4.80-8

• 5.70-8

• 215/60-8

• 205/65-10

	ITEM NO.	BOLT PATTERN	MAX SPEED	CAPACITY / PSI	FINISH/STYLE	O.D	SEC. WIDTH	OFFSET	LOAD RANGE
GOOD - 4.80 x 8 BIAS ASSEMBLIES	9400013	4 on 4.0	62	590@60	WHITE OEM	16.1	4.6	0	B
	9400012	5 on 4.5	62	590@60	WHITE OEM	16.1	4.6	0	B
	9400362	5 on 4.5	62	590@60	GALVANIZED OEM	16.1	4.6	0	B
	9400395	4 on 4.0	71	745@90	WHITE OEM	15.9	4.7	0	C
	9400396	5 on 4.5	71	745@90	WHITE OEM	15.9	4.7	0	C
GOOD - 5.70 x 8 BIAS ASSEMBLIES	9400014	4 on 4.0	62	715@50	WHITE OEM	18.1	5.8	0	B
	9400521	4 on 4.0	62	910@75	WHITE OEM	18.0	5.9	0	C
	9400132	5 on 4.5	62	715@50	WHITE OEM	18.1	5.8	0	B
	9400522	5 on 4.5	62	910@75	WHITE OEM	18.0	5.9	0	C
GOOD - 215/60 x 8 BIAS ASSEMBLIES	9400405	4 on 4.0	72	780@35	WHITE OEM	18.4	8.9	0	B
	9400406	5 on 4.5	72	780@35	WHITE OEM	18.4	8.9	0	B
GOOD - 205/65 x 10 BIAS ASSEMBLIES	9400401	4 on 4.0	84	1100@50	WHITE OEM	20.5	8.3	0	C
	9400402	5 on 4.5	84	1100@50	WHITE OEM	20.5	8.3	0	C
	9400403	5 on 4.5	98	1650@90	WHITE OEM	20.4	8.4	0	E
	9400404	5 on 4.5	98	1650@90	GALVANIZED OEM	20.4	8.4	0	E

NOTE: unless noted otherwise assemblies have a speed rating of 81 mph.



• 4.80-12

TREAD PATTERN

• 5.30-12

	ITEM NO.	BOLT PATTERN	PILOT	CAPACITY	FINISH/STYLE	O.D	SEC. WIDTH	OFFSET	CENTER CAP
GOOD - 4.80 x 12 BIAS ASSEMBLIES	9400539	4 on 4.0	2.52	990	WHITE/SPOKE	20.47	4.64	0	N/A
	9400541	5 on 4.5	2.95	990	WHITE/SPOKE	20.47	4.64	0	7600100
	9400803	5 on 4.5	2.95	990	SILVER/MOD	20.47	4.64	0	7600100
	9400074	5 on 4.5	2.95	990	GALVANIZED/SPOKE	20.47	4.64	0	7600100
GOOD - 5.30 x 12 BIAS ASSEMBLIES	9400545	4 on 4.0	2.52	1,045	WHITE/SPOKE	21.45	5.47	0	7600100
	9400547	5 on 4.5	2.95	1,045	WHITE/SPOKE	21.45	5.47	0	7600100
	9400318	5 on 4.5	2.95	1,045	GALVANIZED/SPOKE	21.45	5.47	0	7600100

NOTE: unless noted otherwise assemblies have a speed rating of 81 mph.

STEEL WHEEL & TIRE ASSEMBLIES



• White Spoke Paint



• White Mod Paint



• Silver Mod Paint



• Galvanized Spoke



• Black Mod PVD



• Silver Mod PVD

13" TIRE & WHEEL ASSEMBLIES

	ITEM NO.	BOLT PATTERN	PILOT	CAPACITY	FINISH/STYLE	O.D	SEC. WIDTH	OFFSET	CENTER CAP
GOOD - ST175/80D13 BIAS ASSEMBLIES	9400585	5 on 4.5	2.99	1,360	WHITE/SPOKE	24.02	5	0	7600100
	9400580	5 on 4.5	2.99	1,360	WHITE/MOD	24.02	5	0	7600100
	9400193	5 on 4.5	2.99	1,360	SILVER/MOD	24.02	5	0	7600100
	9400164	5 on 4.5	3.19	1,360	GALVANIZED/SPOKE	24.02	6.97	0	7600101
BETTER - ST175/80R13 RADIAL ASSEMBLIES	9400314-TT	5 on 4.5	2.99	1,660	WHITE/SPOKE	24.02	6.97	0	7600100
	9400367-TT	5 on 4.5	2.99	1,660	WHITE/MOD	24.02	6.97	0	7600100
	9400310-TT	5 on 4.5	2.99	1,660	SILVER/MOD	24.02	6.97	0	7600100
	9400315-TT	5 on 4.5	3.19	1,660	GALVANIZED/SPOKE	24.02	6.97	0	7600101
BEST - ST175/80R13 RADIAL ASSEMBLIES	9400314	5 on 4.5	2.99	1,360	WHITE/SPOKE	24.02	6.97	0	7600100
	9400367	5 on 4.5	2.99	1,360	WHITE/MOD	24.02	6.97	0	7600100
	9400310	5 on 4.5	2.99	1,360	SILVER/MOD	24.02	6.97	0	7600100
	9400315	5 on 4.5	3.19	1,360	GALVANIZED/SPOKE	24.02	6.97	0	7600101

14" TIRE & WHEEL ASSEMBLIES

	ITEM NO.	BOLT PATTERN	PILOT	CAPACITY	FINISH/STYLE	O.D	SEC. WIDTH	OFFSET	CENTER CAP
GOOD - ST205/75D14 BIAS ASSEMBLIES	9400605	5 on 4.5	3.27	1,760	WHITE/SPOKE	24.02	5.5	0	7600102
	9400595	5 on 4.5	3.27	1,760	WHITE/MOD	24.02	5.5	0	7600102
	9400606	5 on 4.5	3.27	1,760	SILVER/MOD	24.02	5.5	0	7600102
	9400726	5 on 4.5	3.27	1,760	SILVER-PVD/MOD	24.02	5.5	0	7600102
	9400103	5 on 4.5	3.27	1,760	GALVIANIZED/SPOKE	24.02	5.5	0	7600102
BETTER - RADIAL ASSEMBLIES	9400210-TT	5 on 4.5	3.27	1,760	WHITE/SPOKE	26.14	7.99	0	7600102
	9400384-TT	5 on 4.5	3.27	1,760	WHITE/MOD	26.14	7.99	0	7600102
	9400300-TT	5 on 4.5	3.27	1,760	SILVER/MOD	26.14	7.99	0	7600102
	9400712-TT	5 on 4.5	3.27	1,760	SILVER-PVD/MOD	26.14	7.99	0	7600102
	9400163-TT	5 on 4.5	3.27	1,760	GALVIANIZED/SPOKE	26.14	7.99	0	7600102
BEST - RADIAL ASSEMBLIES	9400210	5 on 4.5	3.27	1,760	WHITE/SPOKE	26.14	7.99	0	7600102
	9400384	5 on 4.5	3.27	1,760	WHITE/MOD	26.14	7.99	0	7600102
	9400300	5 on 4.5	3.27	1,760	SILVER/MOD	26.14	7.99	0	7600102
	9400712	5 on 4.5	3.27	1,760	SILVER-PVD/MOD	26.14	7.99	0	7600102
	9400163	5 on 4.5	3.27	1,760	GALVIANIZED/SPOKE	26.14	7.99	0	7600102

NOTE: unless noted otherwise assemblies have a speed rating of 81 mph.

STEEL WHEEL & TIRE ASSEMBLIES =

GOOD

Bias construction nylon ply is ideal for many towable applications including boat trailers, utility trailers, stock trailers and recreational vehicles. Meets and exceeds FMVSS 119.

BETTER

Radial tires provide the strength of a bias tire, as well as the durability, smooth ride and excellent stability at highway speeds. Affordable belted radial construction. Meets and exceeds FMVSS 119.

BEST

Radial tire features double polyester cord body, double steel belts and nylon overlays which contribute up to 15% more endurance in loading conditions when compared to other brands. Meets and exceeds FMVSS 119 & FMVSS 139.

15" X 5" / 205 TIRE & WHEEL ASSEMBLIES

	ITEM NO.	BOLT PATTERN	PILOT	CAPACITY	FINISH/STYLE	O.D	SEC. WIDTH	OFFSET	CENTER CAP
GOOD - ST205/75D15 BIAS ASSEMBLIES	9400625	5 on 4.5	3.31	1,820	WHITE/SPOKE	27.13	5.5	0	7600102
	9400615	5 on 4.5	3.19	1,820	WHITE/MOD	27.13	5.5	0	7600101
	9400620	5 on 4.5	3.19	1,820	SILVER/MOD	27.13	5.5	0	7600101
	9400104	5 on 4.5	3.31	1,820	GALVIANIZED/SPOKE	27.13	5.5	0	7600102
	9400626	5 on 4.75	3.31	1,820	WHITE/SPOKE	27.13	5.5	-0.31	7600102
	9400627	5 on 4.75	3.31	1,820	WHITE/MOD	27.13	5.5	-0.55	7600102
	9400624	5 on 4.75	3.31	1,820	SILVER/MOD	27.13	5.5	-0.55	7600102
	9400645	5 on 5.0	3.19	1,820	WHITE/SPOKE	27.13	5.5	0	7600101
	9400635	5 on 5.0	3.19	1,820	WHITE/MOD	27.13	5.5	0	7600101
	9400636	5 on 5.0	3.19	1,820	SILVER/MOD	27.13	5.5	0	7600101
	9400167	5 on 5.5	4.25	1,820	WHITE/SPOKE	27.13	5.5	-0.67	7600103
9400648	5 on 5.5	4.25	1,820	SILVER/MOD	27.13	5.5	-0.67	7600103	
BETTER - ST205/75R15 RADIAL ASSEMBLIES	9400119-TT	5 on 4.5	3.31	1,820	WHITE/SPOKE	27.13	7.99	0	7600102
	9400148-TT	5 on 4.5	3.19	1,820	WHITE/MOD	27.13	7.99	0	7600101
	9400647-TT	5 on 4.5	3.19	1,820	SILVER/MOD	27.13	7.99	0	7600101
	9400216-TT	5 on 4.5	3.31	1,820	GALVIANIZED/SPOKE	27.13	7.99	0	7600102
	9400080-TT	5 on 4.75	3.31	1,820	WHITE/SPOKE	27.13	7.99	-0.31	7600102
	9400649-TT	5 on 4.75	3.31	1,820	WHITE/MOD	27.13	7.99	-0.55	7600102
	9400213-TT	5 on 4.75	3.31	1,820	SILVER/MOD	27.13	7.99	-0.55	7600102
	9400178-TT	5 on 5.0	3.19	1,820	WHITE/SPOKE	27.13	7.99	0	7600101
	9400515-TT	5 on 5.0	3.19	1,820	WHITE/MOD	27.13	7.99	0	7600101
	9400198-TT	5 on 5.0	3.19	1,820	SILVER/MOD	27.13	7.99	0	7600101
	9400421-TT	5 on 5.5	4.25	1,820	WHITE/SPOKE	27.13	7.99	-0.67	7600103
9400727-TT	5 on 5.5	4.25	1,820	SILVER/MOD	27.13	7.99	-0.67	7600103	
BEST - ST205/75R15 RADIAL ASSEMBLIES	9400119	5 on 4.5	3.31	1,820	WHITE/SPOKE	27.13	7.99	0	7600102
	9400148	5 on 4.5	3.19	1,820	WHITE/MOD	27.13	7.99	0	7600101
	9400647	5 on 4.5	3.19	1,820	SILVER/MOD	27.13	7.99	0	7600101
	9400216	5 on 4.5	3.31	1,820	GALVIANIZED/SPOKE	27.13	7.99	0	7600102
	9400080	5 on 4.75	3.31	1,820	WHITE/SPOKE	27.13	7.99	-0.31	7600102
	9400649	5 on 4.75	3.31	1,820	WHITE/MOD	27.13	7.99	-0.55	7600102
	9400213	5 on 4.75	3.31	1,820	SILVER/MOD	27.13	7.99	-0.55	7600102
	9400178	5 on 5.0	3.19	1,820	WHITE/SPOKE	27.13	7.99	0	7600101
	9400515	5 on 5.0	3.19	1,820	WHITE/MOD	27.13	7.99	0	7600101
	9400198	5 on 5.0	3.19	1,820	SILVER/MOD	27.13	7.99	0	7600101
	9400421	5 on 5.5	4.25	1,820	WHITE/SPOKE	27.13	7.99	-0.67	7600103
9400727	5 on 5.5	4.25	1,820	SILVER/MOD	27.13	7.99	-0.67	7600103	

NOTE: unless noted otherwise assemblies have a speed rating of 81 mph.

STEEL WHEEL & TIRE ASSEMBLIES =

15" X 6" / 205 TIRE & WHEEL ASSEMBLIES									
	ITEM NO.	BOLT PATTERN	PILOT	CAPACITY	FINISH/STYLE	O.D	SEC. WIDTH	OFFSET	CENTER CAP
GOOD - ST205/75D15 BIAS ASSEMBLIES	9400656	5 on 4.5	3.19	1,820	WHITE/SPOKE	27.13	5.5	0	7600101
	9400654	5 on 4.5	3.31	1,820	WHITE/MOD	27.13	5.5	0	7600102
	9400652	5 on 4.5	3.19	1,820	SILVER/MOD	27.13	5.5	0	7600101
	9400682	5 on 4.5	3.31	1,820	SILVER-PVD/MOD	27.13	5.5	0	7600102
	9400683	5 on 4.5	3.31	1,820	BLACK-PVD/MOD	27.13	5.5	0	7600102
	9400662	5 on 5.0	3.31	1,820	WHITE/SPOKE	27.13	5.5	0	7600102
	9400658	5 on 5.0	3.31	1,820	WHITE/MOD	27.13	5.5	0	7600102
	9400728	5 on 5.0	3.31	1,820	SILVER/MOD	27.13	5.5	0	7600102
	9400949	5 on 5.0	3.31	1,820	SILVER-PVD/MOD	27.13	5.5	0	7600102
	9400689	5 on 5.0	3.31	1,820	BLACK-PVD/MOD	27.13	5.5	0	7600102
	9400668	5 on 5.5	4.25	1,820	WHITE/SPOKE	27.13	5.5	0	7600103
	9400695	6 on 5.5	4.25	1,820	WHITE/SPOKE	27.13	5.5	0	7600103
	9400690	6 on 5.5	4.25	1,820	WHITE/MOD	27.13	5.5	0	7600103
	9400671	6 on 5.5	4.25	1,820	SILVER/MOD	27.13	5.5	0	7600103
	BETTER - ST205/75R15 RADIAL ASSEMBLIES	9400655-TT	5 on 4.5	3.19	1,820	WHITE/SPOKE	27.13	7.99	0
9400650-TT		5 on 4.5	3.31	1,820	WHITE/MOD	27.13	7.99	0	7600102
9400651-TT		5 on 4.5	3.19	1,820	SILVER/MOD	27.13	7.99	0	7600101
9400677-TT		5 on 4.5	3.31	1,820	SILVER-PVD/MOD	27.13	7.99	0	7600102
9400676-TT		5 on 4.5	3.31	1,820	BLACK-PVD/MOD	27.13	7.99	0	7600102
9400665-TT		5 on 5.0	3.31	1,820	WHITE/SPOKE	27.13	7.99	0	7600102
9400660-TT		5 on 5.0	3.31	1,820	WHITE/MOD	27.13	7.99	0	7600102
9400729-TT		5 on 5.0	3.31	1,820	SILVER/MOD	27.13	7.99	0	7600102
9400667-TT		5 on 5.0	3.31	1,820	SILVER-PVD/MOD	27.13	7.99	0	7600102
9400674-TT		5 on 5.0	3.31	1,820	BLACK-PVD/MOD	27.13	7.99	0	7600102
9400675-TT		5 on 5.5	4.25	1,820	WHITE/SPOKE	27.13	7.99	0	7600103
9400117-TT		6 on 5.5	4.25	1,820	WHITE/SPOKE	27.13	7.99	0	7600103
9400672-TT		6 on 5.5	4.25	1,820	WHITE/MOD	27.13	7.99	0	7600103
9400670-TT		6 on 5.5	4.25	1,820	SILVER/MOD	27.13	7.99	0	7600103
BEST - ST205/75R15 RADIAL ASSEMBLIES		9400692-TT	6 on 5.5	4.25	1,820	SILVER-PVD/MOD	27.13	7.99	0
	9400691-TT	6 on 5.5	4.25	1,820	BLACK-PVD/MOD	27.13	7.99	0	7600103
	9400655	5 on 4.5	3.14	1,820	WHITE/SPOKE	27.13	7.99	0	7600101
	9400650	5 on 4.5	3.31	1,820	WHITE/MOD	27.13	7.99	0	7600102
	9400651	5 on 4.5	3.19	1,820	SILVER/MOD	27.13	7.99	0	7600101
	9400677	5 on 4.5	3.31	1,820	SILVER-PVD/MOD	27.13	7.99	0	7600102
	9400676	5 on 4.5	3.31	1,820	BLACK-PVD/MOD	27.13	7.99	0	7600102
	9400665	5 on 5.0	3.31	1,820	WHITE/SPOKE	27.13	7.99	0	7600102
	9400660	5 on 5.0	3.31	1,820	WHITE/MOD	27.13	7.99	0	7600102
	9400729	5 on 5.0	3.31	1,820	SILVER/MOD	27.13	7.99	0	7600102
	9400667	5 on 5.0	3.31	1,820	SILVER-PVD/MOD	27.13	7.99	0	7600102
	9400674	5 on 5.0	3.31	1,820	BLACK-PVD/MOD	27.13	7.99	0	7600102
	9400675	5 on 5.5	4.25	1,820	WHITE/SPOKE	27.13	7.99	0	7600103
	9400117	6 on 5.5	4.25	1,820	WHITE/SPOKE	27.13	7.99	0	7600103
	9400672	6 on 5.5	4.25	1,820	WHITE/MOD	27.13	7.99	0	7600103
9400670	6 on 5.5	4.25	1,820	SILVER/MOD	27.13	7.99	0	7600103	
9400692	6 on 5.5	4.25	1,820	SILVER-PVD/MOD	27.13	7.99	0	7600103	
9400691	6 on 5.5	4.25	1,820	BLACK-PVD/MOD	27.13	7.99	0	7600103	

NOTE: unless noted otherwise assemblies have a speed rating of 81 mph.

STEEL WHEEL & TIRE ASSEMBLIES =

15" X 6" / 225 TIRE & WHEEL ASSEMBLIES

	ITEM NO.	BOLT PATTERN	PILOT	CAPACITY	FINISH/STYLE	O.D.	SEC. WIDTH	OFFSET	CENTER CAP
GOOD - ST225/75D15 BIAS ASSEMBLIES	9400614	5 on 4.5	3.19	2,540	WHITE/SPOKE	28.31	6	0	7600101
	9400610	5 on 4.5	3.31	2,540	WHITE/MOD	28.31	6	0	7600102
	9400612	5 on 4.5	3.19	2,540	SILVER/MOD	28.31	6	0	7600101
	9400706	5 on 4.5	3.31	2,540	SILVER-PVD/MOD	28.31	6	0	7600102
	9400707	5 on 4.5	3.31	2,540	BLACK-PVD/MOD	28.31	6	0	7600102
	9400618	5 on 5.0	3.31	2,540	WHITE/SPOKE	28.31	6	0	7600102
	9400616	5 on 5.0	3.31	2,540	WHITE/MOD	28.31	6	0	7600102
	9400146	5 on 5.0	3.31	2,540	SILVER/MOD	28.31	6	0	7600102
	9400950	5 on 5.0	3.31	2,540	SILVER-PVD/MOD	28.31	6	0	7600102
	9400710	5 on 5.0	3.31	2,540	BLACK-PVD/MOD	28.31	6	0	7600102
	9400368	5 on 5.5	4.25	2,540	WHITE/SPOKE	28.31	6	0	7600103
	9400684	6 on 5.5	4.25	2,540	WHITE/SPOKE	28.31	6	0	7600103
	9400680	6 on 5.5	4.25	2,540	WHITE/MOD	28.31	6	0	7600103
	9400681	6 on 5.5	4.25	2,540	SILVER/MOD	28.31	6	0	7600103
	9400708	6 on 5.5	4.25	2,540	SILVER-PVD/MOD	28.31	6	0	7600103
	9400364	6 on 5.5	4.25	2,540	BLACK/MOD	28.31	6	0	7600103
	9400709	6 on 5.5	4.25	2,540	BLACK-PVD/MOD	28.31	6	0	7600103
	9400218	6 on 5.5	4.25	2,540	GALVANIZED/SPOKE	28.31	6	0	7600103
BETTER - ST225/75R15 RADIAL ASSEMBLIES	9400410-TT	5 on 4.5	3.19	2,535	WHITE/SPOKE	28.31	8.78	0	7600101
	9400247-TT	5 on 4.5	3.31	2,535	WHITE/MOD	28.31	8.78	0	7600102
	9400613-TT	5 on 4.5	3.19	2,535	SILVER/MOD	28.31	8.78	0	7600101
	9400639-TT	5 on 4.5	3.31	2,535	SILVER-PVD/MOD	28.31	8.78	0	7600102
	9400640-TT	5 on 4.5	3.31	2,535	BLACK-PVD/MOD	28.31	8.78	0	7600102
	9400619-TT	5 on 5.0	3.31	2,535	WHITE/SPOKE	28.31	8.78	0	7600102
	9400067-TT	5 on 5.0	3.31	2,535	WHITE/MOD	28.31	8.78	0	7600102
	9400003-TT	5 on 5.0	3.31	2,535	SILVER/MOD	28.31	8.78	0	7600102
	9400956-TT	5 on 5.0	3.31	2,535	SILVER-PVD/MOD	28.31	8.78	0	7600102
	9400678-TT	5 on 5.0	3.31	2,535	BLACK-PVD/MOD	28.31	8.78	0	7600102
	9400503-TT	5 on 5.5	4.25	2,535	WHITE/SPOKE	28.31	8.78	0	7600103
	9400700-TT	6 on 5.5	4.25	2,535	WHITE/SPOKE	28.31	8.78	0	7600103
	9400685-TT	6 on 5.5	4.25	2,535	WHITE/MOD	28.31	8.78	0	7600103
	9400705-TT	6 on 5.5	4.25	2,535	SILVER/MOD	28.31	8.78	0	7600103
	9400693-TT	6 on 5.5	4.25	2,535	SILVER-PVD/MOD	28.31	8.78	0	7600103
	9400407-TT	6 on 5.5	4.25	2,535	BLACK/MOD	28.31	8.78	0	7600103
	9400694-TT	6 on 5.5	4.25	2,535	BLACK-PVD/MOD	28.31	8.78	0	7600103
	9400219-TT	6 on 5.5	4.25	2,535	GALVANIZED/SPOKE	28.31	8.78	0	7600103
9400560-TT	6 on 5.5	4.25	2,535	GALVANIZED/MOD	28.31	8.78	0	7600103	
BEST - ST225/75R15D 8 PLY RADIAL ASSEMBLIES	9400410	5 on 4.5	3.19	2,540	WHITE/SPOKE	28.31	8.78	0	7600101
	9400247	5 on 4.5	3.31	2,540	WHITE/MOD	28.31	8.78	0	7600102
	9400613	5 on 4.5	3.19	2,540	SILVER/MOD	28.31	8.78	0	7600101
	9400639	5 on 4.5	3.31	2,540	SILVER-PVD/MOD	28.31	8.78	0	7600102
	9400640	5 on 4.5	3.31	2,540	BLACK-PVD/MOD	28.31	8.78	0	7600102
	9400619	5 on 5.0	3.31	2,540	WHITE/SPOKE	28.31	8.78	0	7600102
	9400067	5 on 5.0	3.31	2,540	WHITE/MOD	28.31	8.78	0	7600102
	9400003	5 on 5.0	3.31	2,540	SILVER/MOD	28.31	8.78	0	7600102
	9400956	5 on 5.0	3.31	2,540	SILVER-PVD/MOD	28.31	8.78	0	7600102
	9400678	5 on 5.0	3.31	2,540	BLACK-PVD/MOD	28.31	8.78	0	7600102
	9400503	5 on 5.5	4.25	2,540	WHITE/SPOKE	28.31	8.78	0	7600103
	9400700	6 on 5.5	4.25	2,540	WHITE/SPOKE	28.31	8.78	0	7600103
	9400685	6 on 5.5	4.25	2,540	WHITE/MOD	28.31	8.78	0	7600103
	9400705	6 on 5.5	4.25	2,540	SILVER/MOD	28.31	8.78	0	7600103

NOTE: unless noted otherwise assemblies have a speed rating of 81 mph.

STEEL WHEEL & TIRE ASSEMBLIES

GOOD

Bias construction nylon ply is ideal for many towable applications including boat trailers, utility trailers, stock trailers and recreational vehicles. Meets and exceeds FMVSS 119.

BETTER

Radial tires provide the strength of a bias tire, as well as the durability, smooth ride and excellent stability at highway speeds. Affordable belted radial construction. Meets and exceeds FMVSS 119.

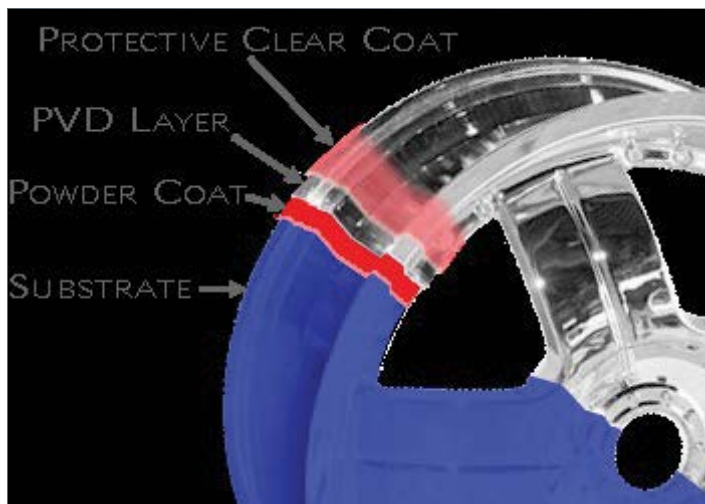
BEST

Radial tire features double polyester cord body, double steel belts and nylon overlays which contribute up to 15% more endurance in loading conditions when compared to other brands. Meets and exceeds FMVSS 119 & FMVSS 139.

15" X 6" / 225 TIRE & WHEEL ASSEMBLIES CONTINUED

	ITEM NO.	BOLT PATTERN	PILOT	CAPACITY	FINISH/STYLE	O.D.	SEC. WIDTH	OFFSET	CENTER CAP
BEST - ST225/75R15D 8 PLY RADIAL ASSEMBLIES CONTINUED	9400693	6 on 5.5	4.25	2,540	SILVER-PVD/MOD	28.31	8.78	0	7600103
	9400407	6 on 5.5	4.25	2,540	BLACK/MOD	28.31	8.78	0	7600103
	9400694	6 on 5.5	4.25	2,540	BLACK-PVD/MOD	28.31	8.78	0	7600103
	9400219	6 on 5.5	4.25	2,540	GALVANIZED/SPOKE	28.31	8.78	0	7600103
	9400560	6 on 5.5	4.25	2,540	GALVANIZED/MOD	28.31	8.78	0	7600103
BEST - ST225/75R15E 10 PLY RADIAL ASSEMBLIES	9400591	5 on 4.5	3.19	2,830	WHITE/SPOKE	28.31	8.78	0	7600101
	9400732	5 on 4.5	3.31	2,830	WHITE/MOD	28.31	8.78	0	7600102
	9400602	5 on 4.5	3.19	2,830	SILVER/MOD	28.31	8.78	0	7600101
	9400733	5 on 4.5	3.31	2,830	SILVER-PVD/MOD	28.31	8.78	0	7600102
	9400734	5 on 4.5	3.31	2,830	BLACK-PVD/MOD	28.31	8.78	0	7600102
	9400581	5 on 5.0	3.31	2,830	WHITE/SPOKE	28.31	8.78	0	7600102
	9400736	5 on 5.0	3.31	2,830	WHITE/MOD	28.31	8.78	0	7600102
	9400737	5 on 5.0	3.31	2,830	SILVER/MOD	28.31	8.78	0	7600102
	9400742	5 on 5.0	3.31	2,830	SILVER-PVD/MOD	28.31	8.78	0	7600102
	9400743	5 on 5.0	3.31	2,830	BLACK-PVD/MOD	28.31	8.78	0	7600102
	9400741	5 on 5.5	4.25	2,830	WHITE/SPOKE	28.31	8.78	0	7600103
	9400563	6 on 5.5	4.25	2,830	WHITE/SPOKE	28.31	8.78	0	7600103
	9400520	6 on 5.5	4.25	2,830	WHITE/MOD	28.31	8.78	0	7600103
	9400548	6 on 5.5	4.25	2,830	SILVER/MOD	28.31	8.78	0	7600103
	9400740	6 on 5.5	4.25	2,830	SILVER-PVD/MOD	28.31	8.78	0	7600103
	9400628	6 on 5.5	4.25	2,830	BLACK/MOD	28.31	8.78	0	7600103
	9400661	6 on 5.5	4.25	2,830	BLACK-PVD/MOD	28.31	8.78	0	7600103
	9400642	6 on 5.5	4.25	2,830	GALVANIZED/SPOKE	28.31	8.78	0	7600103
	9400739	6 on 5.5	4.25	2,830	GALVANIZED/MOD	28.31	8.78	0	7600103

NOTE: unless noted otherwise assemblies have a speed rating of 81 mph.



Do you have a heavy duty need?

We have a heavy duty answer!

- White and Silver coatings begin with a zinc phosphate bath, e-coat, and baked DuPont powder paint. The e-coat process is the most automatic, controllable, and efficient method for applying a corrosion inhibiting primer to a wheel.
- National product liability coverage
- Dill valve stem installed
- FEA optimized 4 window design on duals
- Spun formed disks of ultra-fine grained steel

STEEL WHEEL & TIRE ASSEMBLIES



• White Spoke Paint



• White Mod Paint



• Silver Mod Paint



• Galvanized Spoke



• Silver Mod PVD



• Black Mod PVD



• Silver Dual Paint

BETTER

Radial tires provide the strength of a bias tire, as well as the durability, smooth ride and excellent stability at highway speeds. Affordable belted radial construction. Meets and exceeds FMVSS 119.

BEST

Radial tire features double polyester cord body, double steel belts and nylon overlays which contribute up to 15% more endurance in loading conditions when compared to other brands. Meets and exceeds FMVSS 119 & FMVSS 139.

16" X 6" / 235 TIRE & WHEEL ASSEMBLIES

	ITEM NO.	BOLT PATTERN	PILOT	CAPACITY SINGLE	FINISH/STYLE	O.D	SEC. WIDTH	OFFSET	CENTER CAP	
BETTER - RADIAL ASSEMBLIES	9400725-TT	6 on 5.5	4.25	3,500	WHITE/SPOKE	30.79	9.25	0	7600103	
	9400718-TT	6 on 5.5	4.25	3,500	WHITE/MOD	30.79	9.25	0	7600103	
	9400722-TT	6 on 5.5	4.25	3,500	SILVER/MOD	30.79	9.25	0	7600103	
	9400226-TT	6 on 5.5	4.25	3,500	GALVANIZED/SPOKE	30.79	9.25	0	7600103	
	9400808-TT	8 on 6.5	5.12	3,520	WHITE/SPOKE	30.79	9.25	0	7600105	
	9400815-TT	8 on 6.5	5.12	3,520	WHITE/MOD	30.79	9.25	0	7600105	
	9400806-TT	8 on 6.5	5.12	3,520	SILVER/MOD	30.79	9.25	0	7600105	
	9400531-TT	8 on 6.5	4.88	3,520	SILVER/MOD 4.88	30.79	9.25	0	7600104	
	9400696-TT	8 on 6.5	5.12	3,520	SILVER-PVD/MOD	30.79	9.25	0	7600105	
	9400697-TT	8 on 6.5	5.12	3,520	BLACK-PVD/MOD	30.79	9.25	0	7600105	
	9400221-TT	8 on 6.5	5.12	3,520	GALVANIZED/SPOKE	30.79	9.25	0	7600105	
					CAPACITY DUAL					
		9400723-TT	8 on 6.5	4.75	3,080	SILVER/DUAL	30.79	9.25	5.35	-
		9400719-TT	8 on 6.5	4.88	3,080	SILVER/DUAL	30.79	9.25	5.35	-
	9400698-TT	8 on 6.5	4.75	3,080	SILVER-PVD/DUAL	30.79	9.25	5.35	-	
	9400699-TT	8 on 6.5	4.88	3,080	SILVER-PVD/DUAL	30.79	9.25	5.35	-	

STEEL WHEEL & TIRE ASSEMBLIES

16" X 6" / 235 TIRE & WHEEL ASSEMBLIES										
	ITEM NO.	BOLT PATTERN	PILOT	CAPACITY SINGLE	FINISH/STYLE	O.D	SEC. WIDTH	OFFSET	CENTER CAP	
BEST - 235/80R16E RADIAL ASSEMBLIES	9400725	6 on 5.5	4.25	3,500	WHITE/SPOKE	30.79	9.25	0	7600103	
	9400718	6 on 5.5	4.25	3,500	WHITE/MOD	30.79	9.25	0	7600103	
	9400722	6 on 5.5	4.25	3,500	SILVER/MOD	30.79	9.25	0	7600103	
	9400226	6 on 5.5	4.25	3,500	GALVANIZED/SPOKE	30.79	9.25	0	7600103	
	9400808	8 on 6.5	5.12	3,520	WHITE/SPOKE	30.79	9.25	0	7600105	
	9400815	8 on 6.5	5.12	3,520	WHITE/MOD	30.79	9.25	0	7600105	
	9400806	8 on 6.5	5.12	3,520	SILVER/MOD	30.79	9.25	0	7600105	
	9400531	8 on 6.5	4.88	3,520	SILVER/MOD 4.88	30.79	9.25	0	7600104	
	9400696	8 on 6.5	5.12	3,520	SILVER-PVD/MOD	30.79	9.25	0	7600105	
	9400697	8 on 6.5	5.12	3,520	BLACK-PVD/MOD	30.79	9.25	0	7600105	
	9400221	8 on 6.5	5.12	3,520	GALVANIZED/SPOKE	30.79	9.25	0	7600105	
	CAPACITY DUAL									
	9400723	8 on 6.5	4.75	3,080	SILVER/DUAL	30.79	9.25	5.35	-	
	9400719	8 on 6.5	4.88	3,080	SILVER/DUAL	30.79	9.25	5.35	-	
9400698	8 on 6.5	4.75	3,080	SILVER-PVD/DUAL	30.79	9.25	5.35	-		
9400699	8 on 6.5	4.88	3,080	SILVER-PVD/DUAL	30.79	9.25	5.35	-		

	ITEM NO.*	BOLT PATTERN	PILOT	CAPACITY SINGLE	FINISH/STYLE	O.D	SEC. WIDTH	OFFSET	CENTER CAP	
BEST - 235/85R16 10-PLY RADIAL ASSEMBLIES	9400810	8 on 6.5	5.12	3,750	WHITE/SPOKE	31.73	9.25	0	7600105	
	9400795	8 on 6.5	5.12	3,750	WHITE/MOD	31.73	9.25	0	7600105	
	9400819	8 on 6.5	5.12	3,750	SILVER/MOD	31.73	9.25	0	7600105	
	9400744	8 on 6.5	4.88	4,100	SILVER/MOD	31.73	9.25	0	7600104	
	9400557	8 on 6.5	5.12	3,750	GALVANIZED/SPOKE	31.73	9.25	0	7600105	
	9400576	8 on 6.5	5.12	4,100	GALVANIZED/MOD	31.73	9.25	0	7600105	
	CAPACITY DUAL									
	9400770	8 on 6.5	4.75	3,500	SILVER/DUAL 4.75	31.73	9.25	5.35	-	
	9400755	8 on 6.5	4.88	3,500	SILVER/DUAL 4.88	31.73	9.25	5.35	-	

*ST235/85R16 10-Ply Load Range E have a Speed Rating of 106 mph.

16" X 6" / 235-85 TIRE & WHEEL ASSEMBLIES										
	ITEM NO.	BOLT PATTERN	PILOT	CAPACITY SINGLE	FINISH/STYLE	O.D	SEC. WIDTH	OFFSET	CENTER CAP	
BEST - 235/85R16 14-PLY RADIAL ASSEMBLIES	9400780	8 on 6.5	5.12	3,750	WHITE/SPOKE	31.73	9.25	0	7600105	
	9400775	8 on 6.5	5.12	3,750	WHITE/MOD	31.73	9.25	0	7600105	
	9400197	8 on 6.5	5.12	3,750	SILVER/MOD	31.73	9.25	0	7600105	
	9400415	8 on 6.5	4.88	4,100	SILVER/MOD	31.73	9.25	0	7600104	
	9400424	8 on 6.5	5.12	3,750	GALVANIZED/SPOKE	31.73	9.25	0	7600105	
	9400589	8 on 6.5	5.12	4,100	GALVANIZED/MOD	31.73	9.25	0	7600105	
	CAPACITY DUAL									
	9400066	8 on 6.5	4.75	3,500	SILVER/DUAL 4.75	31.73	9.25	5.35	-	
	9400366	8 on 6.5	4.88	3,500	SILVER/DUAL 4.88	31.73	9.25	5.35	-	
	9400400	8 on 6.5	4.88	4,100	WHITE/MOD	31.73	9.25	0	7600104	
9400418	8 on 6.5	5.12	3,960	WHITE/SPOKE	31.73	9.25	0	7600105		

17.5" TIRE & WHEEL ASSEMBLIES									
	ITEM NO.	BOLT PATTERN	PILOT	CAPACITY	FINISH/STYLE	O.D	SEC. WIDTH	OFFSET	NOTE
BEST - ST215/75R17.5 RADIAL ASSEMBLIES	9400928	8 on 6.5	4.76	5,956	WHITE MOD	30	8.75	-0.47	-
	9400922	10-8.75	6.46	6,500	WHITE DUAL	30	10.5	6.19	-
	9400425	8-275mm	8.7	5,675	INNER DUAL	30	10.25	5.59	-
	9400936	8-275mm	8.7	5,675	OUTER DUAL	30	10.25	5.59	-
	9400231	8 on 6.5	4.76	5,675	DUAL	30	10	5.67	-
	9400938	8 on 6.5	4.76	6,005	SINGLE	30	8.75	0.19	-
	9400940	8 on 6.5	4.76	6,005	SINGLE	30	8.75	0.50	-

STEEL WHEEL & TIRE ASSEMBLIES

BETTER

Radial tires provide the strength of a bias tire, as well as the durability, smooth ride and excellent stability at highway speeds. Affordable belted radial construction. Meets and exceeds FMVSS 119.

BEST

Radial tire features double polyester cord body, double steel belts and nylon overlays which contribute up to 15% more endurance in loading conditions when compared to other brands. Meets and exceeds FMVSS 119 & FMVSS 139.

17.5" TIRE & WHEEL ASSEMBLIES

	ITEM NO.	BOLT PATTERN	PILOT	CAPACITY	FINISH/STYLE	O.D.	SEC. WIDTH	OFFSET
BEST - ST235/75R17.5 RADIAL ASSEMBLIES	9400927	10-8.75	6.46	6,500	WHITE DUAL	31.25	10.5	6.19
	9400426	8-275mm	8.7	5,675	INNER DUAL	31.25	10.25	5.59
	9400925	8-275mm	8.7	5,675	OUTER DUAL	31.25	10.25	5.59
	9400631	8 on 6.5	4.76	5,675	OUTER DUAL	31.25	10	5.67
	9400944	8 on 6.5	4.76	6,005	SINGLE	31.25	9.25	-0.19
	9400946	8 on 6.5	4.76	6,005	SINGLE	31.25	9.25	-0.50



Our Steel wheels provide superior strength and a classic look.

- White and Silver coatings begin with a zinc phosphate bath, e-coat, and baked DuPont powder paint. The e-coat process is the most automatic, controllable, and efficient method for applying a corrosion inhibiting primer to a wheel.
- High cosmetic value offered on Galvanized, Chrome and finishes.
- Built using Improved Torque Retention (ITR) technology.
- Automotive rated center discs.
- Inboard side of the disc is lightly coated for reduced friction and flaking of coating.
- Uncoated stud holes for better clamp force retention.
- Nationwide product liability coverage.

DID YOU KNOW?

Trailer tires need to be replaced after 3-5 years of use, even though they usually appear to have plenty of tread left. Unlike your car's tires, it isn't miles of driving but oxidation of the rubber that wears out the tire. Mostly, a trailer tire sits in one spot for days or weeks at a time, and may travel only 10,000 miles (or sometimes a lot less) per year. UV radiation from sunlight and ozone from exhaust cause exterior damage to the sidewalls, and oxygen from pressurized air creates unseen damage deep inside. So, just because the tires on your trailer have tread left doesn't mean they should not be replaced.



• UV Damage

ALUMINUM WHEELS =



• Series 05



• Series 14



• Series T02



• Series T07



S05 SERIES ALUMINUM WHEEL

ITEM NO.	DIA / WIDTH	BOLT PATTERN	CAPACITY	FINISH	PILOT	OFFSET	CENTER CAP
9700232	14 X 5.5	545	1900	SILVER CLEAR	3.19	0	7600101
9700216	15 X 6	545	2540	SILVER CLEAR	3.19	0	7600101
9700246	15 X 6	550	2540	SILVER CLEAR	3.19	0	7600101
9700233	15 X 6	655	2830	SILVER CLEAR	4.25	0	7600103
9700236	16 x 7	865	3960	SILVER CLEAR	4.90	0	7600104
9700217	15 X 6	545	2540	BLACK ACCENT	3.19	0	7600101
9700247	15 X 6	550	2540	BLACK ACCENT	3.19	0	7600101
9700237	15 X 6	655	2830	BLACK ACCENT	4.25	0	7600103
9700238	16 X 7	865	3960	BLACK ACCENT	4.90	0	7600104

S14 SERIES ALUMINUM WHEEL

9700218	14 X 5.5	545	1900	SILVER CLEAR	3.19	0	7600101
9700213	15 X 5	545	1820	SILVER CLEAR	3.19	0	7600101
9700220	15 X 6	655	2830	SILVER CLEAR	4.25	0	7600103
9700222	16 X 6	655	3200	SILVER CLEAR	4.25	0	7600103
9700226	16 X 6	865	3960	SILVER CLEAR	4.90	0	7600104
9700219	14 X 5.5	545	1900	BLACK ACCENT	3.19	0	7600101
9700214	15 X 5	545	1820	BLACK ACCENT	3.19	0	7600101
9700221	15 X 6	655	2830	BLACK ACCENT	4.25	0	7600103
9700223	16 X 6	655	3200	BLACK ACCENT	4.25	0	7600103
9700227	16 X 6	865	3960	BLACK ACCENT	4.90	0	7600104

T02 SERIES ALUMINUM WHEEL

9700254	14 X 5.5	545	1900	SILVER CLEAR	3.19	0	7600101
9700171	15 X 6	545	2150	SILVER CLEAR	3.19	0	7600101
9700177	15 X 6	655	2830	SILVER CLEAR	4.25	0	7600103
9700183	16 X 6	865	3750	SILVER CLEAR	4.90	0	7600104

T07 SERIES ALUMINUM WHEEL

9700256	13 X 5.5	545	1660	BLACK ACCENT	3.19	0	7600101
9700257	14 X 5.5	545	1900	BLACK ACCENT	3.19	0	7600101
9700173	15 X 6	545	2150	BLACK ACCENT	3.19	0	7600101
9700179	15 X 6	655	2830	BLACK ACCENT	3.75	0	7600095
9700185	16 X 6	865	3750	BLACK ACCENT	4.90	0	7600104

ALUMINUM WHEEL & TIRE ASSEMBLIES =



• Silver Clear



• Black Accent

S05 SERIES ALUMINUM TIRE & WHEEL ASSEMBLIES								
ITEM NO.	BOLT PATTERN	WHEEL	CAPACITY	FINISH/STYLE	O.D	SEC. WIDTH	OFFSET	PILOT
BETTER - ST205/75R 14C 6-PLY RADIAL ASSEMBLIES								
9400486-TT	5 on 4.5	14 x 5.5	1,760	SILVER CLEAR S05	26.14	7.99	0	3.19
BETTER - ST205/75R 15C 6-PLY RADIAL ASSEMBLIES								
9400438-TT	5 on 4.5	15 x 6	1,820	SILVER CLEAR S05	27.13	7.99	0	3.19
9400440-TT	5 on 4.5	15 x 6	1,820	BLACK ACCENT S05	27.13	7.99	0	3.19
9400479-TT	5 on 5.0	15 x 6	1,820	SILVER CLEAR S05	27.13	7.99	0	3.19
9400480-TT	5 on 5.0	15 x 6	1,820	BLACK ACCENT S05	27.13	7.99	0	3.19
BETTER - ST225/75R 15D 8-PLY RADIAL ASSEMBLIES								
9400493-TT	5 on 4.5	15 x 6	2,535	SILVER CLEAR S05	28.31	8.78	0	3.19
9400632-TT	5 on 4.5	15 x 6	2,535	BLACK ACCENT S05	28.31	8.78	0	3.19
9400483-TT	5 on 5.0	15 x 6	2,535	SILVER CLEAR S05	28.31	8.78	0	3.19
9400484-TT	5 on 5.0	15 x 6	2,535	BLACK ACCENT S05	28.31	8.78	0	3.19
9400446-TT	6 on 5.5	15 x 6	2,535	SILVER CLEAR S05	28.31	8.78	0	4.25
9400454-TT	6 on 5.5	15 x 6	2,535	BLACK ACCENT S05	28.31	8.78	0	4.25
BEST - ST205/75R 14C 6-PLY RADIAL ASSEMBLIES								
9400486	5 on 4.5	14 x 5.5	1,760	SILVER CLEAR S05	26.14	7.99	0	3.19
BEST - ST205/75R 15C 6-PLY RADIAL ASSEMBLIES								
9400438	5 on 4.5	15 x 6	1,820	SILVER CLEAR S05	27.13	7.99	0	3.19
9400440	5 on 4.5	15 x 6	1,820	BLACK ACCENT S05	27.13	7.99	0	3.19
9400479	5 on 5.0	15 x 6	1,820	SILVER CLEAR S05	27.13	7.99	0	3.19
9400480	5 on 5.0	15 x 6	1,820	BLACK ACCENT S05	27.13	7.99	0	3.19
BEST - ST225/75R 15D 8-PLY RADIAL ASSEMBLIES								
ITEM NO.	BOLT PATTERN	WHEEL	CAPACITY	FINISH/STYLE	O.D	SEC. WIDTH	OFFSET	PILOT
9400493	5 on 4.5	15 x 6	2,540	SILVER CLEAR S05	28.31	8.78	0	3.19
9400632	5 on 4.5	15 x 6	2,540	BLACK ACCENT S05	28.31	8.78	0	3.19
9400483	5 on 5.0	15 x 6	2,540	SILVER CLEAR S05	28.31	8.78	0	3.19
9400484	5 on 5.0	15 x 6	2,540	BLACK ACCENT S05	28.31	8.78	0	3.19
BEST - ST225/75R 15D 8-PLY RADIAL ASSEMBLIES								
9400446	6 on 5.5	4.25	2,540	SILVER CLEAR S05	28.31	8.78	0	4.25
9400454	6 on 5.5	4.25	2,540	BLACK ACCENT S05	28.31	8.78	0	4.25
BEST - ST225/75R 15E 10-PLY RADIAL ASSEMBLIES								
9400553	6 on 5.5	4.25	2,830	SILVER CLEAR S05	28.31	8.78	0	4.25
9400554	6 on 5.5	4.25	2,830	BLACK ACCENT S05	28.31	8.78	0	4.25
BEST - ST235/80R 16E 10-PLY RADIAL ASSEMBLIES								
9400448	8 on 6.5	4.90	3,640	SILVER CLEAR S05	30.79	9.25	0	4.90
9400456	8 on 6.5	4.90	3,640	BLACK ACCENT S05	30.79	9.25	0	4.90
BEST - ST235/85R 16E 10-PLY RADIAL ASSEMBLIES								
	8 on 6.5	4.90	3,640	SILVER CLEAR S05	31.73	9.25	0	4.90
	8 on 6.5	4.90	3,640	BLACK ACCENT S05	31.73	9.25	0	4.90
BEST - ST235/85R 16E 14-PLY RADIAL ASSEMBLIES								
9400664	8 on 6.5	4.90	3,640	SILVER CLEAR S05	31.73	9.25	0	4.90
9400657	8 on 6.5	4.90	3,640	BLACK ACCENT S05	31.73	9.25	0	4.90

NOTE: unless noted otherwise assemblies have a speed rating of 81 mph.

ALUMINUM WHEEL & TIRE ASSEMBLIES =



• Black Accent



• Silver Clear



• Black Accent



S14 SERIES ALUMINUM TIRE & WHEEL ASSEMBLIES

ITEM NO.	BOLT PATTERN	WHEEL	CAPACITY	FINISH/STYLE	O.D	SEC. WIDTH	OFFSET	PILOT
BETTER - ST205/75R 14C 6-PLY RADIAL ASSEMBLIES								
9400644-TT	5 on 4.5	14 x 5.5	1,760	SILVER CLEAR S14	26.14	7.99	0	3.19
9400498-TT	5 on 4.5	14 x 5.5	1,760	BLACK ACCENT S14	26.14	7.99	0	3.19
BETTER - ST205/75R 15C 6-PLY RADIAL ASSEMBLIES								
9400433-TT	5 on 4.5	15 x 5	1,820	SILVER CLEAR S14	27.13	7.99	0	3.19
9400436-TT	5 on 4.5	15 x 5	1,820	BLACK ACCENT S14	27.13	7.99	0	3.19
BETTER - ST225/75R 15D 8-PLY RADIAL ASSEMBLIES								
9400442-TT	6 on 5.5	15 x 6	2,535	SILVER CLEAR S14	28.31	8.78	0	4.25
9400450-TT	6 on 5.5	15 x 6	2,535	BLACK ACCENT S14	28.31	8.78	0	4.25
BETTER - ST235/80R 16E 10-PLY RADIAL ASSEMBLIES								
9400464-TT	6 on 5.5	16 x 6	3,200	BLACK ACCENT S14	30.79	9.25	0	4.25
9400469-TT	6 on 5.5	16 x 6	3,200	SILVER CLEAR S14	30.79	9.25	0	4.25
BETTER - ST235/80R 16E 10-PLY RADIAL ASSEMBLIES								
9400452-TT	8 on 6.5	16 x 6	3,520	BLACK ACCENT S14	30.79	9.25	0	4.90
9400444-TT	8 on 6.5	16 x 6	3,520	SILVER CLEAR S14	30.79	9.25	0	4.90
BEST - ST205/75R 14C 6-PLY RADIAL ASSEMBLIES								
9400644	5 on 4.5	14 x 5.5	1,760	SILVER CLEAR S14	26.14	7.99	0	3.19
9400498	5 on 4.5	14 x 5.5	1,760	BLACK ACCENT S14	26.14	7.99	0	3.19
BEST - ST205/75R 15C 6-PLY RADIAL ASSEMBLIES								
ITEM NO.	BOLT PATTERN	WHEEL	CAPACITY	FINISH/STYLE	O.D	SEC. WIDTH	OFFSET	PILOT
9400433	5 on 4.5	15 x 5	1,820	SILVER CLEAR S14	27.13	7.99	0	3.19
9400436	5 on 4.5	15 x 5	1,820	BLACK ACCENT S14	27.13	7.99	0	3.19
BEST - ST225/75R 15D 8-PLY RADIAL ASSEMBLIES								
9400442	6 on 5.5	15 x 6	2,540	SILVER CLEAR S14	28.31	8.78	0	4.25
9400450	6 on 5.5	15 x 6	2,540	BLACK ACCENT S14	28.31	8.78	0	4.25
BEST - ST225/75R 15E 10-PLY RADIAL ASSEMBLIES								
	6 on 5.5	15 x 6	2,830	SILVER CLEAR S14	28.31	8.78	0	4.25
9400769	6 on 5.5	15 x 6	2,830	BLACK ACCENT S14	28.31	8.78	0	4.25
BEST - ST235/80R 16E 10-PLY RADIAL ASSEMBLIES								
9400464	6 on 5.5	16 x 6	3,200	BLACK ACCENT S14	30.79	9.25	0	4.25
9400469	6 on 5.5	16 x 6	3,200	SILVER CLEAR S14	30.79	9.25	0	4.25
BEST - ST235/80R 16E 10-PLY RADIAL ASSEMBLIES								
9400452	8 on 6.5	4.90	3,520	BLACK ACCENT S14	30.79	9.25	0	4.90
9400444	8 on 6.5	4.90	3,520	SILVER CLEAR S14	30.79	9.25	0	4.90
BEST - ST235/85R 16E 10-PLY RADIAL ASSEMBLIES								
9400558	8 on 6.5	4.90	3,640	BLACK ACCENT S14	31.73	9.25	0	4.90
	8 on 6.5	4.90	3,640	SILVER CLEAR S14	31.73	9.25	0	4.90
BEST - ST235/85R 16E 14-PLY RADIAL ASSEMBLIES								
9400559	8 on 6.5	4.90	3,960	BLACK ACCENT S14	31.73	9.25	0	4.90
9400538	8 on 6.5	4.90	3,960	SILVER CLEAR S14	31.73	9.25	0	4.90

NOTE: unless noted otherwise assemblies have a speed rating of 81 mph.

ALUMINUM WHEEL & TIRE ASSEMBLIES

BETTER

Radial tires provide the strength of a bias tire, as well as the durability, smooth ride and excellent stability at highway speeds. Affordable belted radial construction. Meets and exceeds FMVSS 119.



• Silver Clear

BEST

Radial tire features double polyester cord body, double steel belts and nylon overlays which contribute up to 15% more endurance in loading conditions when compared to other brands. Meets and exceeds FMVSS 119 & FMVSS 139.



• Black Accent

T02 SERIES ALUMINUM TIRE & WHEEL ASSEMBLIES								
ITEM NO.	BOLT PATTERN	WHEEL	CAPACITY	FINISH/STYLE	O.D	SEC. WIDTH	OFFSET	PILOT
BETTER - ST205/75R 14C 6-PLY RADIAL ASSEMBLIES								
9400505-TT	5 on 4.5	14 x 5.5	1,760	SILVER MACHINED T02	26.14	7.99	0	3.19
BETTER - ST205/75R 15C 6-PLY RADIAL ASSEMBLIES								
9400326-TT	5 on 4.5	15 x 6	1,820	SILVER MACHINED T02	27.13	7.99	0	3.19
BETTER - ST225/75R 15D 8-PLY RADIAL ASSEMBLIES								
9400747-TT	5 on 4.5	15 x 6	2,535	SILVER MACHINED T02	28.31	8.78	0	3.19
9400340-TT	6 on 5.5	15 x 6	2,535	SILVER MACHINED T02	28.31	8.78	0	3.19
BETTER - ST235/80R 16E 10-PLY RADIAL ASSEMBLIES								
9400352-TT	8 on 6.5	16 x 6	3,520	SILVER MACHINED T02	30.79	9.25	0	4.90
BEST - ST205/75R 14C 6-PLY RADIAL ASSEMBLIES								
9400505	5 on 4.5	14 x 5.5	1,760	SILVER MACHINED T02	26.14	7.99	0	3.19
BEST - ST205/75R 15C 6-PLY RADIAL ASSEMBLIES								
9400326	5 on 4.5	15 x 6	1,820	SILVER MACHINED T02	27.13	7.99	0	3.19
BEST - ST225/75R 15D 8-PLY RADIAL ASSEMBLIES								
9400747	5 on 4.5	15 x 6	2,540	SILVER MACHINED T02	28.31	8.78	0	3.19
9400340	6 on 5.5	15 x 6	2,540	SILVER MACHINED T02	28.31	8.78	0	4.25
BEST - ST225/75R 15E 10-PLY RADIAL ASSEMBLIES								
9400600	6 on 5.5	15 x 6	2,830	SILVER MACHINED T02	28.31	8.78	0	4.25
BEST - ST235/80R 16E 10-PLY RADIAL ASSEMBLIES								
9400352	8 on 6.5	16 x 6	3,520	SILVER MACHINED T02	30.79	9.25	0	4.90
BEST - ST235/85R 16E 10-PLY RADIAL ASSEMBLIES								
9400413	8 on 6.5	16 x 6	3,640	SILVER MACHINED T02	31.73	9.25	0	4.90
BEST - ST235/85R 16E 14-PLY RADIAL ASSEMBLIES								
9400601	8 on 6.5	16 x 6	3,750	SILVER MACHINED T02	31.79	9.25	0	4.90

NOTE: unless noted otherwise assemblies have a speed rating of 81 mph.

ALUMINUM WHEEL & TIRE ASSEMBLIES =



• Black Accent



T07 SERIES ALUMINUM TIRE & WHEEL ASSEMBLIES									
ITEM NO.	BOLT PATTERN	WHEEL	CAPACITY	FINISH/STYLE	O.D	SEC. WIDTH	OFFSET	PILOT	
BETTER - ST175/80R 13C 6-PLY RADIAL ASSEMBLIES									
9400513-TT	5 on 4.5	13 x 5.5	1,360	BLACK ACCENT T07	24.02	6.97	0	3.19	
BETTER - ST205/75R 14C 6-PLY RADIAL ASSEMBLIES									
9400512-TT	5 on 4.5	14 x 5.5	1,760	BLACK ACCENT T07	26.14	7.99	0	3.19	
BETTER - ST205/75R 15C 6-PLY RADIAL ASSEMBLIES									
9400328-TT	5 on 4.5	15 x 6	1,820	BLACK ACCENT T07	27.13	7.99	0	3.19	
BETTER - ST225/75R 15D 8-PLY RADIAL ASSEMBLIES									
9400388-TT	5 on 4.5	15 x 6	2,535	BLACK ACCENT T07	28.31	8.78	0	3.19	
9400342-TT	6 on 5.5	15 x 6	1,820	BLACK ACCENT T07	27.13	7.99	0	4.25	
BETTER - ST235/80R 16E 10-PLY RADIAL ASSEMBLIES									
9400354-TT	8 on 6.5	16 x 6	3,520	BLACK ACCENT T07	30.79	9.25	0	4.90	
BEST - ST175/80R 13C 6-PLY RADIAL ASSEMBLIES									
9400513	5 on 4.5	13 x 5.5	1,360	BLACK ACCENT T07	24.02	6.97	0	3.19	
BEST - ST205/75R 14C 6-PLY RADIAL ASSEMBLIES									
9400512	5 on 4.5	14 x 5.5	1,760	BLACK ACCENT T07	26.14	7.99	0	3.19	
BEST - ST205/75R 15C 6-PLY RADIAL ASSEMBLIES									
9400328	5 on 4.5	15 x 6	1,820	BLACK ACCENT T07	27.13	7.99	0	3.19	
BEST - ST225/75R 15D 8-PLY RADIAL ASSEMBLIES									
9400388	5 on 4.5	15 x 6	2,535	BLACK ACCENT T07	28.31	8.78	0	3.19	
9400342	6 on 5.5	15 x 6	2,535	BLACK ACCENT T07	28.31	8.78	0	3.75	
BEST - ST225/75R 15E 10-PLY RADIAL ASSEMBLIES									
9400609	6 on 5.5	15 x 6	2,830	BLACK ACCENT T07	28.31	8.78	0	3.75	
BEST - ST235/80R 16E 10-PLY RADIAL ASSEMBLIES									
9400354	8 on 6.5	16 x 6	3,520	BLACK ACCENT T07	30.79	9.25	0	4.90	
BEST - ST235/85R 16E 10-PLY RADIAL ASSEMBLIES									
	8 on 6.5	16 x 6	3,640	BLACK ACCENT T07	31.73	9.25	0	4.90	
BEST - ST235/85R 16E 14-PLY RADIAL ASSEMBLIES									
9400763	8 on 6.5	16 x 6	3,750	BLACK ACCENT T07	31.73	9.25	0	4.90	

NOTE: unless noted otherwise assemblies have a speed rating of 81 mph.

TIRES & WHEELS • ACCESSORIES • WHEEL CENTER CAPS •



• **Chrome Center Cap & Chrome Lug Nuts**



• **Black Center Cap & Black Lug Nuts**



WHEEL CENTER CAPS

ITEM NO.	ID NO.	DESCRIPTION	FINISH	WHEEL PILOT
7600100	117EZ-60C	CENTER CAP WITH PLUG	CHROME	2.95
7600101	106EZ-60C	CENTER CAP WITH PLUG	CHROME	3.19
7600136	106EZB-60	CENTER CAP WITH PLUG	BLACK	3.19
7600108	106EZSS	CENTER CAP WITH PLUG	STAINLESS STEEL	3.19
7600102	102EZ-60C	CENTER CAP WITH PLUG	CHROME	3.28
7600112	120EZSS	CENTER CAP WITH PLUG	STAINLESS STEEL	3.28
7600095	107EZ-60C	CENTER CAP WITH PLUG	CHROME	3.75
7600137	107EZB	CENTER CAP WITH PLUG	BLACK	3.75
7600096	107EZSS	CENTER CAP WITH PLUG	STAINLESS STEEL	3.75
7600103	104EZ-60C	CENTER CAP WITH PLUG	CHROME	4.25
7600138	104EZB-60	CENTER CAP WITH PLUG	BLACK	4.25
7600109	104EZSS	CENTER CAP WITH PLUG	STAINLESS STEEL	4.25
7600104	105EZ-60C	CENTER CAP WITH PLUG	CHROME	4.82
7600110	105EZSS	CENTER CAP WITH PLUG	STAINLESS STEEL	4.82
7600105	112EZ-60C	CENTER CAP WITH PLUG	CHROME	5.12
7600111	112EZSS	CENTER CAP WITH PLUG	STAINLESS STEEL	5.12
7600106	-	REPLACEMENT PLUG	BLACK	
7600107	-	REPLACEMENT PLUG	CHROME	

TIRES & WHEELS • ACCESSORIES • WHEEL & HUB COVERS



• BEFORE

• AFTER

Wheel liners and hub covers make a **BIG DIFFERENCE** in the appearance of your trailer.

Use them in combination for a fresh new look!



HUB COVERS				
ITEM NO.	ID NO.	DESCRIPTION	FINISH	LUG SIZE
7600025	QT545CHS	HUB COVER FOR 5 on 4.5 HUB	CHROME	1/2"
7600023	QT655CHN	HUB COVER FOR 6 on 5.5 HUB	CHROME	1/2"
7600024	QT765CHN	HUB COVER FOR 8 on 6.5 HUB	CHROME	13/16"
7600018	QT865CHN	HUB COVER FOR 8 on 6.5 HUB	CHROME	7/8"

WHEEL LINERS				
ITEM NO.	ID NO.	DESCRIPTION	FINISH	SIZE
7600028	QT544CLO	WHEEL LINER FOR 5 on 4.5 HUB	CHROME	14"
7600029	QT545CLO	WHEEL LINER FOR 5 on 4.5 HUB	CHROME	15"
7600030	QT655CLO	WHEEL LINER FOR 6 on 5.5 HUB	CHROME	15"
7600031	QT6556CLO	WHEEL LINER FOR 6 on 5.5 HUB	CHROME	16"
7600032	QT865CLO	WHEEL LINER FOR 8 on 6.5 HUB	CHROME	16"

TIRES & WHEELS • ACCESSORIES



Trim ring used with HUB COVER
• SOLD SEPARATELY •



TRIM RINGS				
ITEM NO.	ID NO.	DESCRIPTION	FINISH	SIZE
7600082	1403	TRIM RING	CHROME	14"
7600077	1503	TRIM RING	CHROME	15"
7600078	1603	TRIM RING	CHROME	16"

TIRES & WHEELS • ACCESSORIES • WHEEL SIMULATORS



• GQT60 & NDT165



• 7600004



• NST06



• GQST50

WHEEL SIMULATORS

ITEM NO.	ID NO.	DESCRIPTION	FINISH	WHEEL SIZE
7600051	GQST50	SINGLE SIMULATOR SET	SNAP-ON	15"
7600004	GQT60	DUAL WHEEL SIMULATOR SET	SNAP-ON	16 or 16.5"
7600026	NST06	SINGLE WHEEL SIMULATOR SET	BOLT-ON	16 or 16.5"
7600015	NDT165	DUAL WHEEL SIMULATOR SET	BOLT-ON	16 or 16.5"



OEM BABY MOON HUB CAPS

ITEM NO.	ID NO.	DESCRIPTION	I.D.	OEM WHEEL SIZE
7600120	98-1102	BABY MOON HUB CAP 440	7.660	8"-13"
7600121	98-1302	BABY MOON HUB CAP 545	8.740	15"
7600012	51003	BABY MOON HUB CAP	9.230	14"-15"
7600011	98-1306F	BABY MOON HUB CAP	10.125	14"-15"
7600013	98-1309	BABY MOON HUB CAP	11.563	16"-16.5"



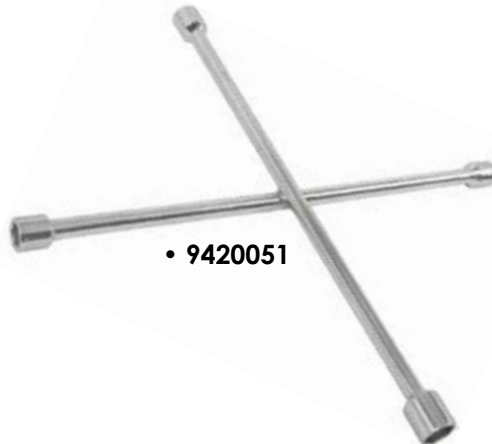
TIRES & WHEELS • ACCESSORIES • LUG NUTS & WRENCHES



• 7700282



LUG NUTS				
ITEM NO.	ID NO.	DESCRIPTION	FINISH	WHEEL SIZE
7700044	1904	WHEEL NUT 60°	CHROME	1/2"-20
7700202	1904L	WHEEL NUT 60° 1.75" LONG	CHROME	1/2"-20
7700201	1960LHD	WHEEL NUT 60°	CHROME	9/16"-18
7700281	1954BK	WHEEL NUT 60°	BLACK	1/2"-20
7700282	1954BKL	WHEEL NUT 60° 1.75" LONG	BLACK	1/2"-20
7700283	1690LBK	WHEEL NUT 60°	BLACK	9/16"-18
8200220	20405	LOCKING WHEEL NUT KIT W/KEY	CHROME	1/2"-20



LUG WRENCHES		
ITEM NO.	ID NO.	DESCRIPTION
9420050	405	LUG WRENCH TELESCOPING - 13/16 - 7/8 - 17mm - 18mm
9420051	433	LUG WRENCH CROSS - 3/4 - 13/16 - 7/8 - 17mm
9250513	LWRO	LUG WRENCH HOLDER (lug wrench sold separately)

TIRES & WHEELS • ACCESSORIES • VALVE STEMS



TIRES & WHEELS • ACCESSORIES



REF NO.	ITEM NO.	ID NO.	DESCRIPTION	SIZE
1	9300055	TR600C	VALVE STEM	.453" x 1.25"
2	9300054	TR600	VALVE STEM	.453" x 1.25"
3	9300028	TR413	VALVE STEM	.453" x 1.25"
3A	9300097	TR414	VALVE STEM	.453" X 1.50"
4	9300052	TR801	VALVE STEM	.625" x 1.25"
5	9300050	501SW	VALVE STEM	.625" x 1.25"
6	9300030	TR415	VALVE STEM	.625" x 1.25"
7	9300053	TR416	VALVE STEM	.625" x 1.25"
8	9300031	TR500	VALVE STEM	.625" x 2"
9	9300051	TR572	VALVE STEM	.625" x 3.75"
10	9300071		VALVE EXTENSION FOR 17.5 DUAL	

TIRES & WHEELS • ACCESSORIES • SPARE TIRE MOUNTS =



1



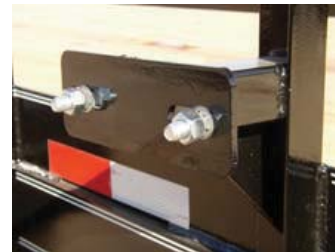
2



3



4



5



6

Load Locker
Lock it in



7



8

REF NO.	ITEM NO.	ID NO.	DESCRIPTION
1	8900009-01	-	SPARE TIRE CARRIER
2	8900010-01	-	SPARE TIRE CARRIER - LOCKABLE
3	8900003	HDSTC0101	SPARE TIRE MOUNT - FULTON HI-MOUNT BOLT-ON
4	8900002	HSTC0101	SPARE TIRE MOUNT - FULTON HI-MOUNT BOLT-ON
5	8900004	BTSTC100	SPARE TIRE MOUNT - RAW FINISH WELD-ON
6	9250515	TMRO	SPARE TIRE MOUNT FOR CARGO TRAILER
7	9250428	TMOR	SPARE TIRE MOUNT - BOLT-ON
8	8200224	262DAT	SPARE TIRE LOCK - MASTER LOCK WITH TWO KEYS
9	8900026	160438	STAKE POCKET SPARE TIRE MOUNT



9

TIRES & WHEELS • ACCESSORIES • WHEEL CHOCKS



Easy as 1...2...3...



5



Finally, The Easy Way... JIFFY JACK - Steel or Aluminum

REF NO.	ITEM NO.	ID NO.	DESCRIPTION
1	9750033	WC1086	WHEEL CHOCK 10"x 8" x 6" WITH EYE - HEAVY DUTY
2	9750034	WC6810L	WHEEL CHOCK 10"x 8" x 6" WITH EYE
3	9750001	EZJACK	ALUMINUM EZJACK
4	9750027	84-00-4000	ONE-STEP WHEEL CHOCK
5	9750005	S33525	JIFFY JACK STEEL PAINTED MEDIUM SIZE 4.50" RISE FOR TIRE CHANGES
	9750003	S39625	JIFFY JACK STEEL PAINTED LARGE SIZE 6.25" RISE FOR TIRE CHANGES
	9750004	33525-AL	JIFFY JACK ALUMINUM MEDIUM SIZE 4.50" RISE FOR TIRE CHANGES
	9750002	39625-AL	JIFFY JACK ALUMINUM LARGE SIZE 6.25" RISE FOR TIRE CHANGES

SEE SECTION H: CARGO CONTROL FOR MORE WHEEL CHOCK OPTIONS AVAILABLE

TIRES & WHEELS • ACCESSORIES • WHEEL LOCKS =



REF NO.	ITEM NO	ID NO.	DESCRIPTION
1	8200248	TCL75	WHEEL LOCK 12-16" WHEEL - TRIMAX
2	8200023	RA25	WHEEL LOCK 12-18" WHEEL - RACKEM
3	8200165	EZ300	WHEEL LOCK 13-15" WHEEL - BLAYLOCK
4	8200076	TK100	WHEEL LOCK 13-15" WHEEL - FULTON
5	8200484*	WL002	WHEEL LOCK 13-14" WHEEL - BRAHMA
	8200408*	WL001	WHEEL LOCK 15-17" WHEEL BRAHMA
	8200485	WL001A	BRAHMA ADAPTER FOR ALUMINUM WHEELS

* Requires purchase of 8200485 when used with Alloy or Aluminum Wheels.





DON'T Be A Target! **BRAHMA**



The Brahma Lock **can't** be removed without the key...